

SF315D RF Low-Loss-Filter for ISM applications

This product is lead-free in compliance with RoHs 2002/95/EC.

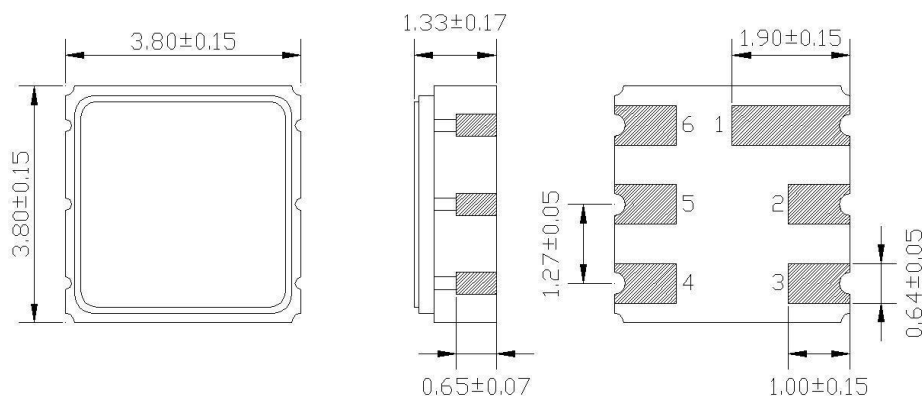
Test Conditions:

RF power	0 dBm	
Temperature	23 °C	
DC Voltage	6 V	
Terminating source impedance (Z_S):	50 Ω	No matching
Terminating load impedance (Z_L):	50 Ω	No matching

	minimum	typical	maximum	unit
Centre frequency		315.00		MHz
Insertion Loss in Passband 314.75 MHz – 315.25 MHz		2.1	3.2	dB
Ripple in Pass Band 314.75 MHz – 315.25 MHz		1.0	1.4	dB
VSWR in Passband 314.75 MHz – 315.25 MHz		1.3	2.2	
Rejection				
1.00 MHz – 200.00 MHz	40	50		dB
200.00 MHz – 305.00 MHz	36	40		dB
305.00 MHz – 310.00 MHz	30	35		dB
320.00 MHz – 330.00 MHz	25	34		dB
330.00 MHz – 335.00 MHz	33	39		dB
335.00 MHz – 1000.00 MHz	38	40		dB
1000.00 MHz – 1200.00 MHz	35	38		dB
RF Power			27	dBm
Operating temperature range	-40		+85	°C
Storage temperature range	-40		+85	°C
Temperature coefficient of frequency		-31		ppm/K

Electrostatic Sensitive Device

Package: S35 / 3.8*3.8mm²

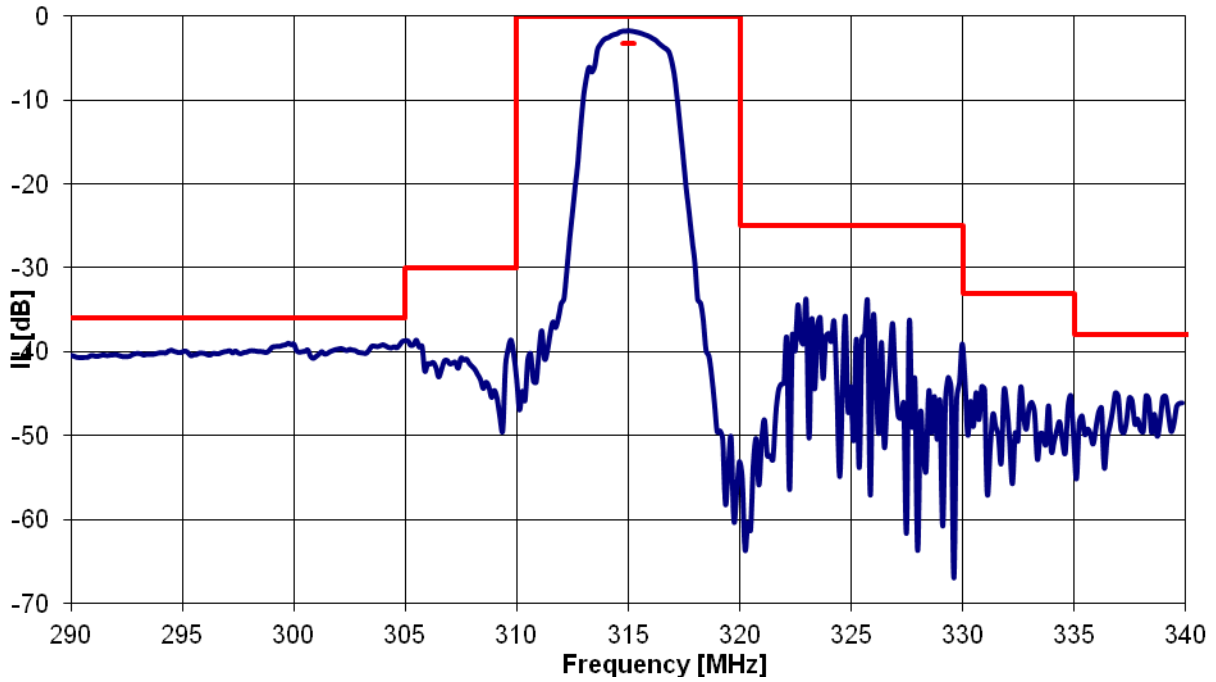


All dimensions in mm

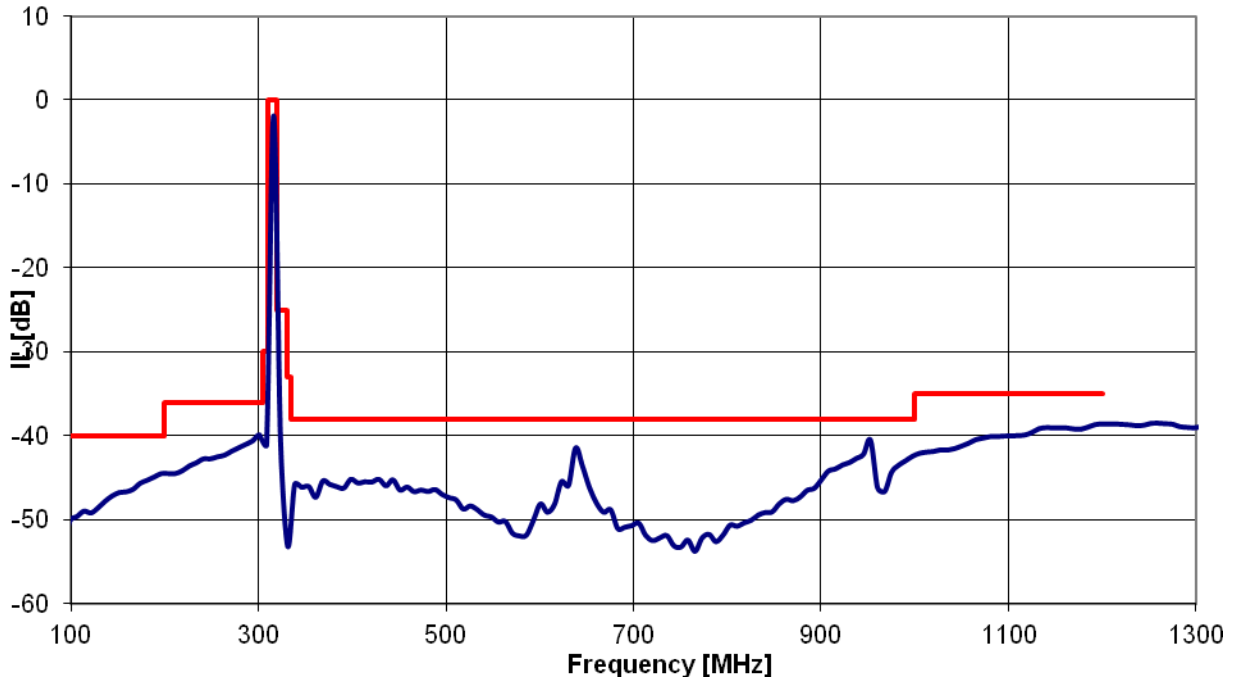
Pin 2 Input
Pin 5 Output
Pin 1, 3, 4, 6 to be grounded

Typical performance:

SF315D frequency response

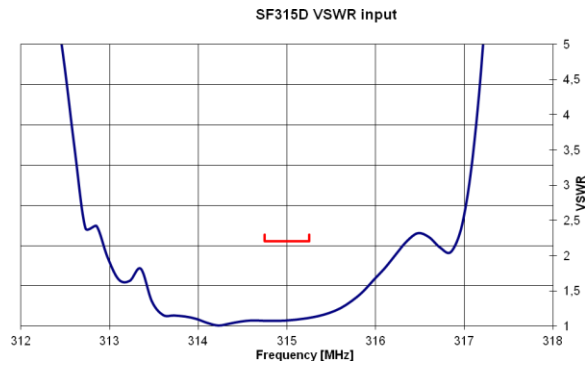


SF315D frequency response



Specification

VSWR in



VSWR out

